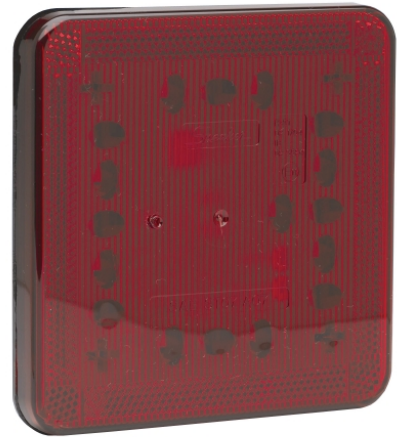


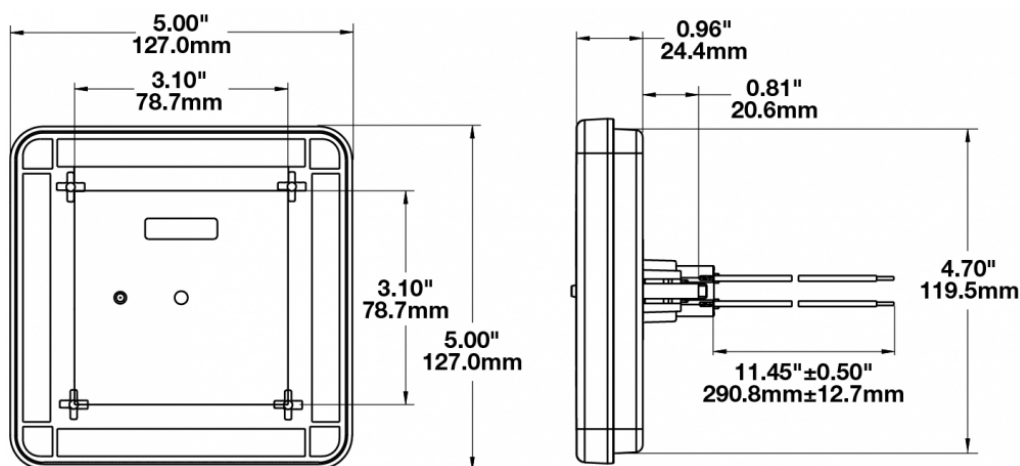
LED Signal Lights - Model 224

PRODUCT INFORMATION

Description	12-24V ECE/SAE LED Stop & Tail Light
Height	127.00 mm / 5 in
Width	127.00 mm / 5 in
Depth	44.96 mm / 1.77 in
Shape	Square
Outer Lens Material	Acrylic
Outer Lens Color	Red
Housing Material	ABS
Housing Color	Black
Mounting Hardware Description	(x2) M6-1 x 25 Mounting Bolts
Mounting Type	Low Profile Mount
Minimum Operating Temperature	-40 °C / -40 °F
Maximum Operating Temperature	65 °C / 149 °F
Mating Connector	4-Pin Deutsch Plug (DT06-4S)
Product Weight	0.46 lbs / 0.21 kgs
Shipping Weight	0.46 lbs / 0.21 kgs



PRODUCT DIMENSIONS



Print date: 2018-09-10

© 2018 J.W. Speaker Corporation • Germantown, WI U.S.A.
www.jwspeaker.com • speaker@jwspeaker.com • 262.251.6660

LED Signal Lights - Model 224

ELECTRICAL SPECIFICATIONS

Input Voltage	12-24V DC
Black Wire	Ground
Red Wire	Stop
White Wire	Tail
Current Draw	0.190A @ 12V DC (Stop) 0.030A @ 12V DC (Tail)

REGULATORY STANDARDS COMPLIANCE



ASABE S279	Buy America Standards
Eco Friendly	FMVSS 108 Table IX
FMVSS 108 Table VIII	FMVSS 108 Table XVI
IEC IP67	SAE J2040
SAE J585	SAE J586
SAE J594	

PHOTOMETRIC SPECIFICATIONS

Beam Pattern(s)	Signalization - Stop Signalization - Tail
------------------------	--

APPLICATIONS



Print date: 2018-09-10

© 2018 J.W. Speaker Corporation • Germantown, WI U.S.A.
www.jwspeaker.com • speaker@jwspeaker.com • 262.251.6660

J.W. SPEAKER®
Engineered. Lighting. Solutions.

LED Signal Lights - Model 224

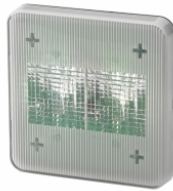
RELATED PRODUCTS



Part Number
0342291
12-24V ECE/SAE LED
Turn Signal Light



Part Number
0342361
12-24V LED Rear Fog
Light



Part Number
0442611
12-24V ECE/SAE LED
Backup Light